

PIN/PINLESS MOISTURE METER (MT600)

PLEASE READ ALL OF THE INSTRUCTIONS BEFORE USING THE MOISTURE METER.

This instrument can be used to measure the moisture content of wood and building material, and the environment temperature.

KEY FEATURES

- Pin and pinless mode measurement two-in-one
- LCD display
- 9 wood density grades
- Low battery indication

PRODUCT SPECIFICATIONS

Measurement range:

- Pin mode measurement: wood moisture measurement range 6-60%
building materials moisture measurement range 0%-33%
- Pinless mode measurement: wood moisture measurement range 0-60%
building materials measurement range 0-33%
- Temperature: 0°C-50°C(32°F-122°F)

Measurement accuracy:

- Pin mode measurement: ±2%
 - Pinless mode measurement: WOOD: ±4%
- BUILDING MATERIALS: relative readings

- Temperature: ±2°C / ±4°F

Resolution:

- Pin mode display resolution 0.1%
- Pinless mode display resolution 0.1%
- Temperature: 0.1°C / 0.2°F

Operating Environment:

- Operating temperature: 0°C-40°C(32°F-104°F)
- Operating humidity: 0-90%RH

Storage temperature: -10°C-50°C(14°F-122°F)

Power supply: 1*9V battery

Auto power off in 5 minutes without operation

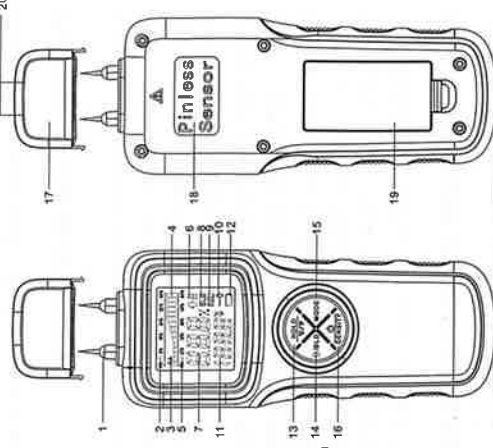
BLD(building materials) Measurement Mode Interpretation:

In the BLD(building materials) measurement mode, the reading of the instrument is only a relative indication of the humidity inside the measured material. This mode is applicable to quickly check the relative humidity level of walls and floors to determine whether it is necessary to conduct in-depth investigation on suspicious areas, such as bathrooms with tiles or walls with wallpaper.

Tip: Other conductors inside the wall, such as steel bars, wires, etc., may greatly affect the reading of the BLD(building materials) measurement mode (For example, when in an area with steel bars, the reading will suddenly increase). Please pay attention to distinguish these interference factors during measurement and construction.

DESCRIPTION OF THE DEVICE

1. Pins
2. Building materials moisture value
3. Pin-type measurement mode indication
4. Moisture bar display
5. Wood moisture value
6. Wood type and density indication
7. Moisture value display
8. Building material type indication
9. Pinless measurement mode indication
10. Measurement value lock indication
11. Temperature value
12. Low battery indication
13. Hold and °C/°F conversion button (HOLD button)
14. Wood/building material conversion button (W/B button)
15. Measurement mode conversion button (MODE button)
16. Power and density button (POWER button)

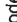



INSTRUCTIONS



1. Power on/off

Press the POWER button to turn on the instrument, press and hold the POWER button more than 2 seconds to turn it off. It would automatically power off if no operation within 5 minutes. If the battery voltage is lower than 7.3V, the low battery indication will display on the LCD. If the battery voltage is lower than 6.8V, it would automatically power off, and can not turn on any more.

2. Measurement mode switching

After turning on the instrument, press MODE button can switch between the pin and pinless measurement mode. If  icon appears, it indicates that the current measurement mode is pin mode. While the  icon appears, it indicates that the current mode is pinless mode.

3. Selecting the type of the measured object

After power on, press WOOD/BLD button to switch the measurement type between wood and building material type. If  icon appears, it means that the current measurement type is wood type. While  icon appears, it means that the current measurement type is building materials type.

4. Selecting the wood density grade

After turning on the instrument, select wood type as the measurement type, then press the POWER button to switch the density from 1-9 grades, refer to the **TABLE OF WOOD ABSOLUTE DRY DENSITY** (page 2). It displays "1"- "9" accordingly.

5. Remove protective cap

To remove the protective cap, press the left and right bottom of the cap, then pull the cap as the illustration.

